

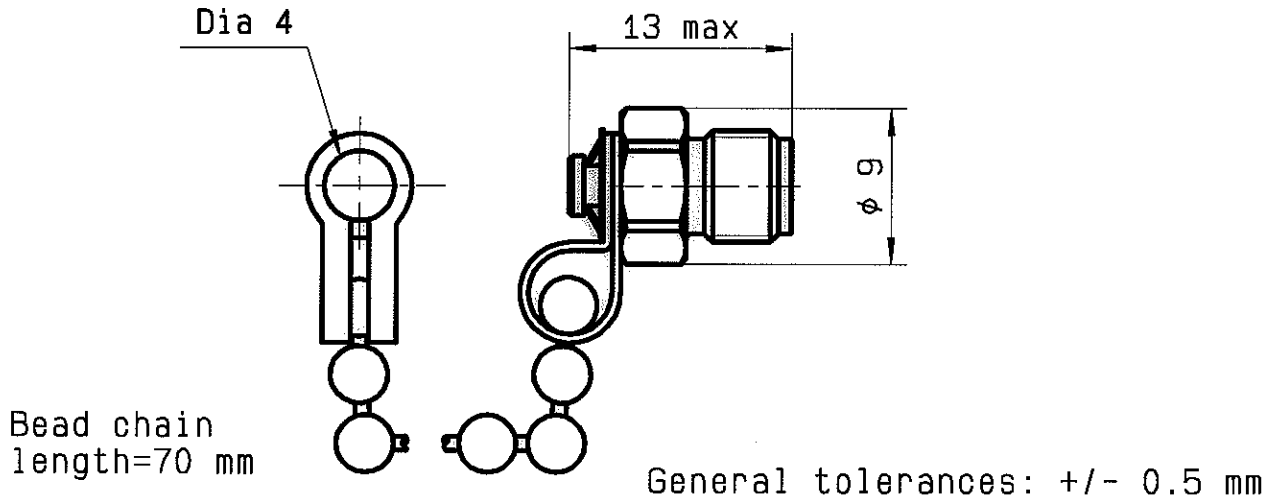


TITLE: 1 W 4GHZ SMA/fem COAXIAL TERMINATION

issue
16. juin.04

Page
1 / 2

DRAWING



MATERIALS AND FINISHES

- BODY : BRASS - NICKEL 2
- CONTACT : BERYLLIUM COPPER - OR 0.5 sur NICKEL 1
- INSULATOR : TEFLON
- GASKET : SILICONE RUBBER
- CORD : BRASS - NICKEL 2
- SUBSTRATE : ALUMINA
- RESISTIVE MATERIAL : THICK FILM

This information is given as an indication. In the continual goal to improve our products, we reserve the right to make any modifications judged necessary

CREATION					
N° :	16. juin.04	Added MATERIALS AND FINISHES	TJL	VP	RADIALL® 101. rue P. Hoffmann -Z.I Quest- 93116 ROSNY/BOIS Cedex-FRANCE Phone :33(1)49353535 Fax :33(1)48546363 Tvx RADIA 235220F
PEN/EP:CAT	09. jul.03	Change frequency range 2.5 GHz --> 4 GHz	AF	FG	
Name:KL	01. jun.95	-25;+70° C --> -55;+125° C	LJ	VE	
Date:04.may.92	04.oct.92	New format	PG		
APP.:	ISSUE	REVISIONS	NAME	APPR.	



TITLE: 1 W 4GHz SMA/fem COAXIAL TERMINATION

issue
16. juin.04

Page
2 / 2

ELECTRICAL CHARACTERISTICS

FREQUENCY RANGE	:	DC - 4GHz
IMPEDANCE	:	50 Ohms
DC RESISTANCE	:	50 Ohms ± 5 %
AVERAGE POWER HANDLING	:	1 W at 25°C
PEAK POWER HANDLING	:	100W (1 μs, 1%.) at 25°C
V.S.W.R :	DC - 1 GHz	: ≤1.08
	1 - 2.5 GHz	: ≤1.20
	2.5 - 4 GHz	: ≤1.25

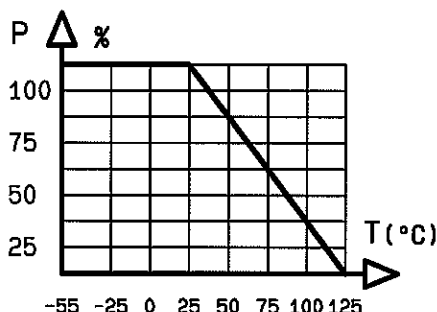
MECHANICAL CHARACTERISTICS

CONNECTOR	:	SMA female	per MIL C 39012
MAXIMUM WEIGHT	:	8	grams

ENVIRONMENTAL CHARACTERISTICS

OPERATING TEMPERATURE RANGE (°C)	:	-55 ; +125
STORAGE TEMPERATURE RANGE (°C)	:	-55 ; +125

Power derating
Versus temperature



This information is given as an indication. In the continual goal to improve our products, we reserve the right to make any modifications judged necessary

4112-9212

CREATION				
N° :				
PEN/EP:CAT				
Name:KL				
Date:04.may.92				
APP.:	ISSUE	REVISIONS	NAME	APPR.

RADIAL®

101. rue P. Hoffmann -Z.I Ouest-
93116 ROSNY/BOIS Cedex-FRANCE
Phone:33(1)49353535
Fax :33(1)48546363
Tvx RADIA 235220F